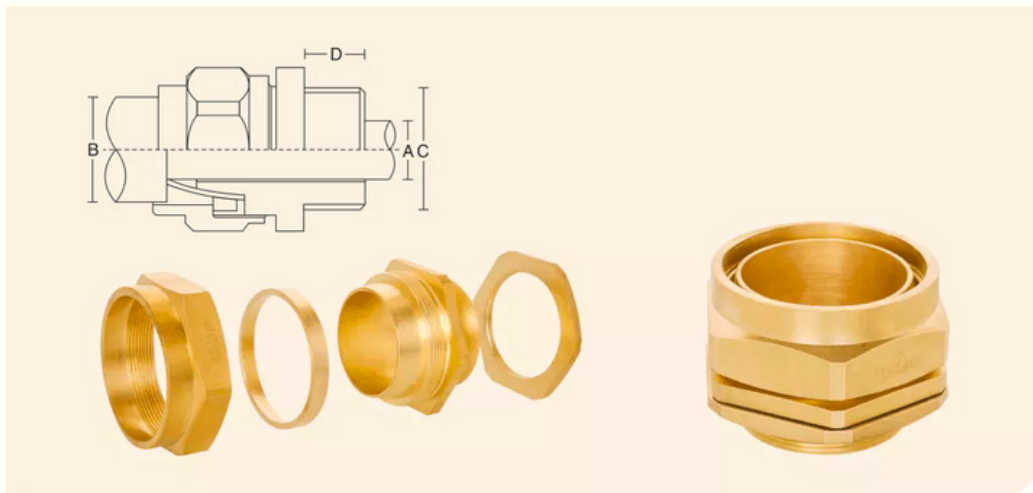




BW4PT

CABLE GLANDS

WITH LOCKNUT, EARTH TAG, IP NYLON WASHER, SERRATED WASHER, PVC / LSF SHROUD.



TECHNICAL DATA

Size	: 20mm to 90mm S & L	Material	: Brass BS 2874 CZ121 Pb3
IP Rating	: IP30	Option Threads	: Metric, NPT, BSP & PG.
Standards	: BS6121, IEC 62444, EN 62444, EN 50262	Operating Temp.	: -80° C to +600°
Function	: Provide Mechanical Cable Retention & Electrical Wire Continuity via Armored Wire.	Accessories	: Lock Nut, Earth Tag, IP Nylon Washer, Serrated Washer, PVC / LSF Shroud.
Applications	: Dry Indoor, for Use with all	Finish	: Natural Brass Finish, Nickel Finish

CODE NO.	GLAND SIZE	THREAD SIZE 'C'		MINIMUM LENGTH OF THREAD 'D'	CABLE RANGE	
		METRIC	NPT		Max 'A'	Max 'B'
CI-CG-B4-20S	BW 20S	M20	1/2"	10	11.5	15.5
CI-CG-B4-20L	BW 20L	M20	1/2"	10	14	20.5
CI-CG-B4-25S	BW 25S	M25	3/4"	10	18	24
CI-CG-B4-25L	BW 25L	M25	3/4"	10	20	27.2
CI-CG-B4-32S	BW 32S	M32	1"	10	26.3	33.5
CI-CG-B4-32L	BW 32L	M32	1"	10	26.3	33.5
CI-CG-B4-40S	BW 40S	M40	1-1/4"	13	31.5	39.5
CI-CG-B4-40L	BW 40L	M40	1-1/4"	13	32	40
CI-CG-B4-50S	BW 50S	M50	1-1/2"	13	38.2	46.3
CI-CG-B4-50L	BW 50L	M50	2"	13	44	52.6
CI-CG-B4-63S	BW 63S	M63	2"	14	50.1	59
CI-CG-B4-63L	BW 63L	M63	2-1/2"	14	56	65.3
CI-CG-B4-75S	BW 75S	M75	2-1/2"	15	62	71.6
CI-CG-B4-75L	BW 75L	M75	3"	15	68	78
CI-CG-B4-90S	BW 90S	M90	3"	18	80.5	91
CI-CG-B4-90L	BW 90L	M90	3"	18	80.5	91

All Unspecified Dimensions are in MM

