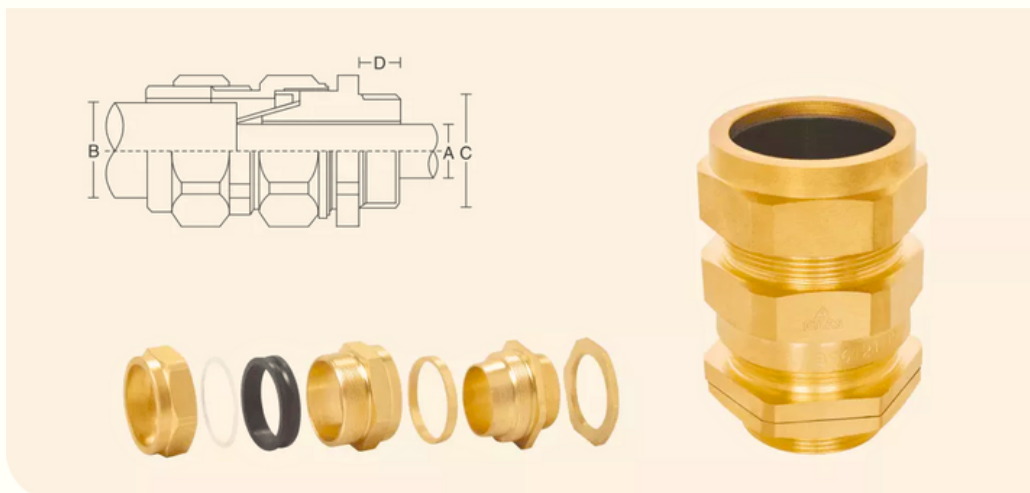




# CW4PT

# CABLE GLANDS

WITH LOCKNUT, EARTH TAG, IP NYLON WASHER, SERRATED WASHER, PVC / LSF SHROUD.



## TECHNICAL DATA

Size	:	20mm to 90mm S & L	Material	:	Brass BS 2874 CZ121 Pb3
IP Rating	:	IP65	Option Threads	:	Metric, NPT, BSP & PG.
Standards	:	BS6121, IEC 62444, EN 62444, EN 50262	Operating Temp.	:	Standard Seals -20° to +80° C
Function	:	Provide seal on the outer sheath & armour clamp Armoured Cable. The clamp provides an electrical bond.	Accessories	:	Lock Nut, Earth Tag, IP Nylon Washer, Serrated Washer, PVC / LSF Shroud.
Applications	:	For Outdoor or Indoor Application with SWA Cables.	Finish	:	Natural Brass Finish, Nickel Finish

CODE NO.	GLAND SIZE	THREAD SIZE 'C'		MINIMUM LENGTH OF THREAD 'D'	CABLE RANGE	
		METRIC	NPT		Max 'A'	Max 'B'
CI-CG-C4-20S	CW 20S	M20	1/2"	10	11.5	15.5
CI-CG-C4-20L	CW 20L	M20	1/2"	10	14	20.5
CI-CG-C4-25S	CW 25S	M25	3/4"	10	18	24
CI-CG-C4-25L	CW 25L	M25	3/4"	10	20	27.2
CI-CG-C4-32S	CW 32S	M32	1"	10	26.3	33.5
CI-CG-C4-32L	CW 32L	M32	1"	10	6.3	33.5
CI-CG-C4-40S	CW 40S	M40	1-1/4"	13	31.5	39.5
CI-CG-C4-40L	CW 40L	M40	1-1/4"	13	2	40
CI-CG-C4-50S	CW 50S	M50	1-1/2"	13	38.2	46.3
CI-CG-C4-50L	CW 50L	M50	2"	13	44	52.6
CI-CG-C4-63S	CW 63S	M63	2"	14	50	59
CI-CG-C4-63L	CW 63L	M63	2-1/2"	14	56	65.3
CI-CG-C4-75S	CW 75S	M75	2-1/2"	15	62	71.6
CI-CG-C4-75L	CW 75L	M75	3"	15	68	78
CI-CG-C4-90S	CW 90S	M90	3"	18	80	91
CI-CG-C4-90L	CW 90L	M90	3"	18	80	91

All Unspecified Dimensions are in MM

