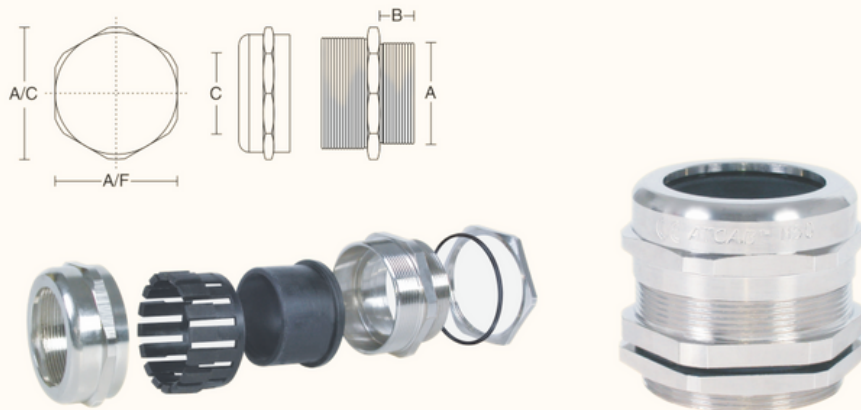




IP 68 METRIC _____ CABLE GLANDS

WITH LOCKNUT, EARTH TAG, IP NYLON WASHER,
SERRATED WASHER, PVC / LSF SHROUD.



TECHNICAL DATA

Size	:	M12 TO M63	Material	:	Brass BS 2874 CZ121 Pb3.
IP Rating	:	IP68	Option Threads	:	Metric
Application	:	For indoor or outdoor use with all types of SWA Cable.	Operating Temp.	:	-20° C to +120° C
Standards	:	BS EN50262 : 1999	Accessories	:	Matching Accessories available like Locknuts & 'O' Ring
Finish	:	Natural Brass Finish, Nickel Finish.			

CODE NO.	THREAD SIZE (A)	ENTRY THREAD LENGTH (B)	C	A/F	A/C	CABLE CLAMPING RANGE Dia. (MIN - MAX) MM	TIGHTENING TORQUE IN Nm	INSTALLATION TORQUE IN Nm	IMPACT TEST CATEGORY
CI-CG-CEM12	M 12	5	7	14	15.5	3 - 6.5	0.1	8	3
CI-CG-CEM12-1	M 12	5	7	14	15.5	2 - 5	0.1	8	3
CI-CG-CEM16	M 16	8	9.5	18	19.5	4 - 8	0.1	10	3
CI-CG-CEM16-1	M 16	8	9.5	18	19.5	2 - 6	0.1	10	3
CI-CG-CEM20	M 20	7	12.5	22	24.5	6 - 12	0.35	12	3
CI-CG-CEM20-1	M 20	7	12.5	22	24.5	5 - 9	0.15	12	3
CI-CG-CEM25	M 25	8	18.5	31	34	13 - 18	0.6	12	4
CI-CGT-CEM25-1	M 25	8	18.5	31	34	9 - 16	0.35	12	4
CI-CG-CEM32	M 32	9.5	25.5	40	44.5	18 - 25	0.8	18	4
CI-CG-CEM32-1	M 32	9.5	25.5	40	44.5	13 - 20	0.6	18	4
CI-CG-CEM40	M 40	10	33	50	55	25 - 32	0.9	18	5
CI-CG-CEM40-1	M 49	10	33	50	55	20 - 26	0.8	18	5
CI-CG-CEM50	M 50	13	39	55	60	32 - 38	0.9	20	5
CI-CGT-CEM50-1	M 50	13	39	55	60	25 - 31	0.8	20	5
CI-CG-CEM63	M 63	10.5	46	65	70.5	37 - 44	1	20	5
CI-CG-CEM63-1	M 63	10.5	46	65	70.5	29 - 35	0.9	20	5

All Unspecified Dimensions are in MM

